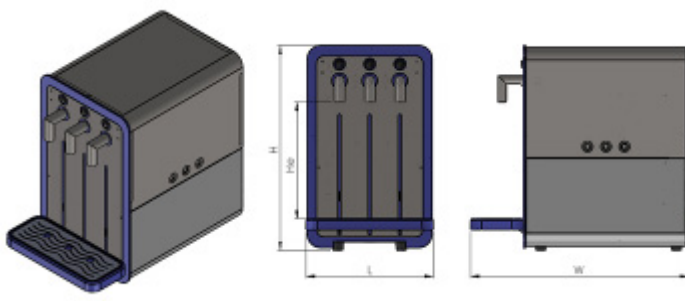


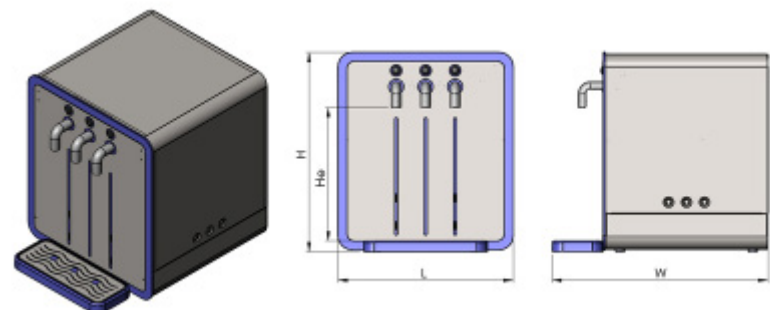
AQUA TAP ECO Watertapinstallatie



	Aqua Tap Eco 80	Aqua Tap Eco 150
Cooling capacity (lt/h)	80	150
Continuous supply (lt)	45	80
Cold water Temperature	3° - 10°C	
Ice bank capacity (lt)	14	18
Ice bank Kg	5	10
Cooling technology	ICE BANK - Single Stainless Steel coil	
Condensation	Forced ventilation (Fan)	
Adjustable Thermostat	Yes	
Refrigerant Gas HC R290	50gr	110gr
Compressor Power	1/6 hp	1/3 hp
Pump	Professional carbonator pump	
Dispensing area height He (mm)	238 - 315 - 372	
Typology	Countertop	
Supply	230 V - 50 Hz	
Power	500 W - 2,2 A	600 W - 2.6 A
Working Room Temperature	Min 5°C - Max 42°C	
NET WEIGHT Kg	35	40
GROSS WEIGHT Kg	45	50
Dimensions L x W x H (mm)	345 x 592 x 555	488 x 589 x 555
Dispensing	Cold sparkling water, Room temperature water, Cold still water,	
Push buttons	Electronic button commands with intermittent or continual (on request) water supply	
Materials	All robust Stainless steel parts Plexiglass casing cover panel	
Other features	Safety inlet valve Easy access for complete service maintenance Available with mechanical outlet taps on request	
OPTIONAL		
WATER PRESSURE REDUCER	On demand (Outside the machine)	
Co2 PRESSURE REDUCER	On demand (Outside the machine)	
FILTERS	UVC OUTLET (Inside the machine)	Everpure 4C, UVC INLET and/or OUTLET (Inside the machine)



Aqua Tap Eco 80



Aqua Tap Eco 150